



Subject to change without notice!
Rev. 1601

Metal separator Digital2

Compact

Application

These separators are used for various applications in the plastics or the chemical industry. The separation of metal is realized using compressed air - metallic pieces are blown out. There are no mechanically stressed parts. The device is compact and the installation height is at only 225 mm. This makes the separator appropriate for applications with restricted space conditions or for retrofitting.



Metal separator Compact

Function

In the upper part of the separator the sensor coil of the detector is situated. If metal falls through the sensor the signal is collected and processed by the operating electronics. Subsequently the electronics precisely excites the pulse for piloting the valves. The valves are opened and metal is blown out sideways by the air stream. As the device does not have movable or mechanically stressed pieces, there is no abrasion and no need for maintenance.

Specific characteristics

- separating system free of maintenance
- different outlet dimensions available
- all devices mechanically compatible
- compact design
- proper for ponding bulk material



Metal separator Compact

Type	Compact 25		Compact 50		Compact 70	
Mechanical data						
Height	225 mm					
Sensor aperture	19 mm		45 mm		65 mm	
Material-ejection unit	Aluminium					
Material-base frame	Aluminium					
Material-protection tube ²	GF30					
Payload	max. 150 kg					
Weight	~ 14 kg					
Conditions of use						
Storage temperature	-10 .. 60°C					
Operating temperature	0 .. 60°C					
Protection class	IP50					
Electrical connection	see Datasheet of the control unit					
Pneumatic connection	4-6 bar, filtered, water- & oilfree; self-sealing-coupling - fitting NW 7,2					
max. drop height of the bulk material	Use only for sagging material!					
Troughput ³	450 l/h		2.000 l/h		5.400 l/h	
Sensitivity¹						
Material-Test piece ⁴	FE	SS	FE	SS	FE	SS
Digital2	0,2	0,5	0,35	0,9	0,5	1,0

Ordering code:

Electronic
Digital2

Separator type

Compact 25 - Compact 70

(e.g.: Digital2 Compact 50)

¹ The actual sensitivity depends on various factors. Unfavourable environmental conditions or vibrations can reduce the sensitivity. Conductive test material can also influence the sensitivity. For obliging information please contact our service or sales department. Our service includes product tests in our headquarters.

² Other materials available (glas, antistatic; wear-resistant)

³ Measured with granulate PET - grain dimensions 2 - 4 mm.

⁴ FE → Ferrous / SS → Stainless steel



Special designs & accessories

Designation	Order number
Pneumatic guard	When ordering please add option 45

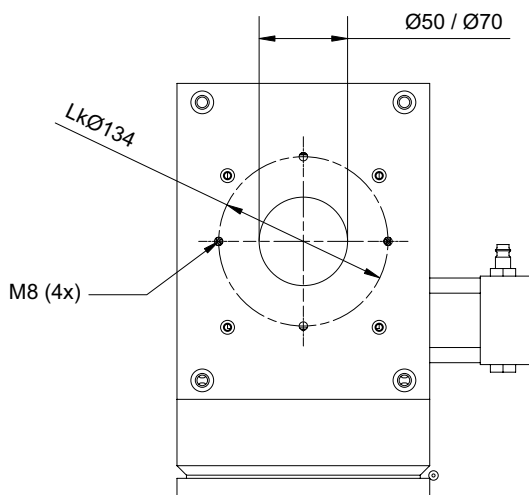
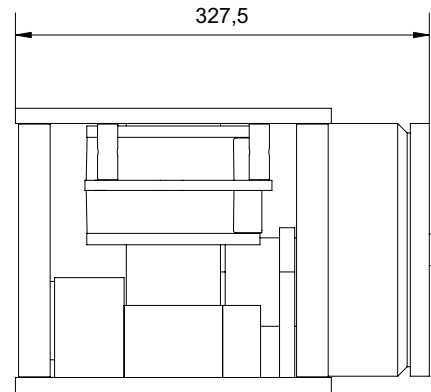
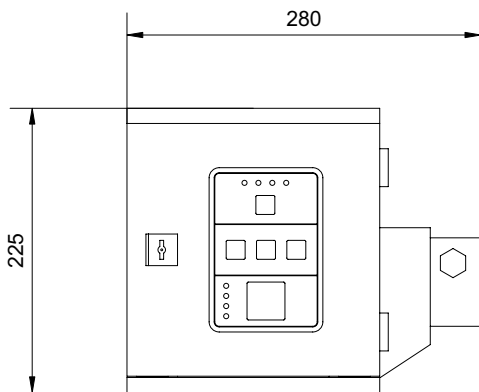
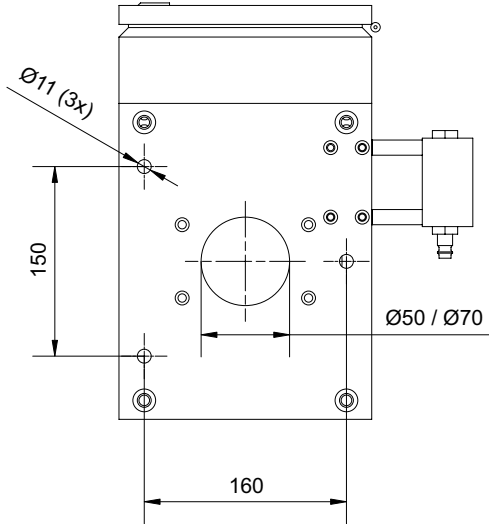
Metal separator Compact



p-u-l-s-o-t-r-o-n-i-c

Dimensions

Metal separator Compact



Vertegenwoordiging Benelux:

Kotraco

Korte Schaft 23 C • NL-3991 AT Houten
T +31 (0)30 635 0603 • E info@kotraco.eu
www.kotraco.eu

Plastic Machinery

Pulsotronic-Anlagentechnik
GmbH

Neue Schichtstraße 7
D-09366 Niederdorf

Tel.: +49 37296 9383-500
Fax: +49 37296 9383-501

info@pulsotronic-anlagentechnik.de
www.pulsotronic-anlagentechnik.de